

## MDT Dimming Actuator MRDC 1-fold/ 2-fold/ 4-fold

Version		
AKD-0201.01	Dimming Actuator 2-fold	4TE MRDC, 230VAC, 250W
AKD-0401.01	Dimming Actuator 4-fold	8TE MRDC, 230VAC, 250W
AKD-0103.01	Dimming Actuator 1-fold	4TE MRDC, 230VAC, 600W
AKD-0203.01	Dimming Actuator 2-fold	8TE MRDC, 230VAC, 600W
AKD-0410V.01	Control device 4-fold	4TE MRDC, 1-10V

The MDT Dimming Actuators receive KNX/EIB telegrams and dimm/switch up to 4 independent electrical loads. Each output can be operated manually via a push button.

The outputs are for switching and dimming incandescent lamps, HV halogen lamps, LV halogen lamps (with conventional or suitable electronic transformers), dimmable energy saving lamps and LED lightning. Leading or trailing edge principle can be chosen. The device has an integrated shortcircuit and excess temperature protection plus softstart function to increase lamp life time.

Programmable performance after mains voltage failure, bus voltage failure or return.

The 1-10V Control device has embedded switching relays for 30 ET/30W, 20 ET/58W, 30 ET/2x36W or 30 ET/2x58W. Each channel offers control voltage up to 30 electronic transformers (ET).

The Dimming Actuator is a modular installation device for fixed installation in dry rooms. It fits on DIN 35mm rails in power distribution boards or closed compact boxes.

For project design and commissioning of the Dimming Actuator it is recommended to use the ETS3f/ETS4 or later. Please download the application software at [www.mdtautomation.de/downloads](http://www.mdtautomation.de/downloads).

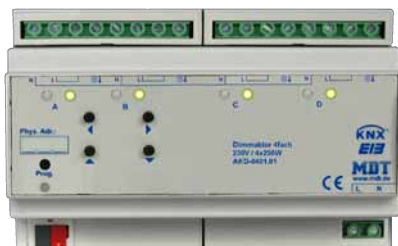
AKD-0201.01



AKD-0410V.01



AKD-0401.01

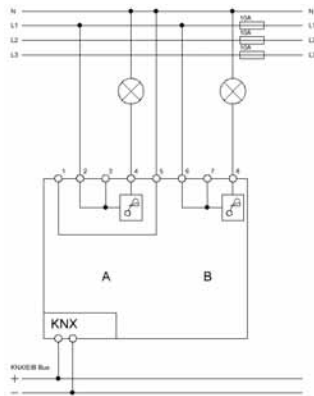


- production in Germany, certified according to ISO 9001
- modern design
- fully compatible to all KNX/EIB devices
- Push Button and LED indicator for each channel
- For dimming and switching incandescent lamps, HV halogen lamps, LV halogen lamps ( with conventional or suitable electronic transformers), dimmable energy saving lamps and LED lightning
- Dimming operation in leading or trailing edge
- Short circuit and temperature protection with alarm, softstart
- Time functions (swich-on/switch-off delay, staircase light function)
- Each contact has an own supply phase
- Modular installation device for DIN 35mm rails
- Integrated bus coupling unit
- 3 years warranty

Technical Data	AKD-0201.01 AKD-0401.01	AKD-0103.01 AKD-0203.01	Technical Data	AKD-0410V.01
<b>Configuration</b>			<b>Configuration</b>	
Number of outputs	2/4	1/2	Number of outputs	4
<b>Power supply</b>			<b>Power supply</b>	
Supply voltage	230VAC / 50Hz	230VAC / 50Hz	Switched outputs	230VAC
Output voltage	230VAC	230VAC	Analog control outputs	1-10V
<b>Power consumption</b>	< 0,3W	< 0,3W	<b>Power consumption</b>	< 0,3W
<b>Maximum lamp load *</b>	250W	600W	<b>Maximum number of ET</b>	30
<b>Minimum lamp load</b>	12W	20W	<b>Maximum current switching relays</b>	16A
<b>max. fuse per channel</b>	10A	10A	<b>Maximum capacitive load</b>	100uF
<b>Permitted wire gauge</b>			<b>Permitted wire gauge</b>	
Screw terminal	2,5mm <sup>2</sup>	2,5mm <sup>2</sup>	Screw terminal	2,5mm <sup>2</sup>
KNX busconnection terminal	0,8mm <sup>2</sup>	0,8mm <sup>2</sup>	KNX busconnection terminal	0,8mm <sup>2</sup>
<b>Operation temperature range</b>	0 to + 45°C	0 to + 45°C	<b>Operation temperature range</b>	0 to + 45°C
<b>Enclosure</b>	IP 20	IP 20	<b>Enclosure</b>	IP 20
<b>Dimensions MDRC</b>	4/8 TE	4/8 TE	<b>Design</b>	4 TE

\* Maximum load for LED lightning and dimmable energy saving lamps is 80W (AKD-xx01.01) or 200W (AKD-xx03.01)  
Note: Dimming Actuators **AKD** have separate Power supply terminals for each channel. The channels can not be bridged.

### Exemplary circuit diagram AKD-0201.01



### Exemplary circuit diagram AKD-0401.01

